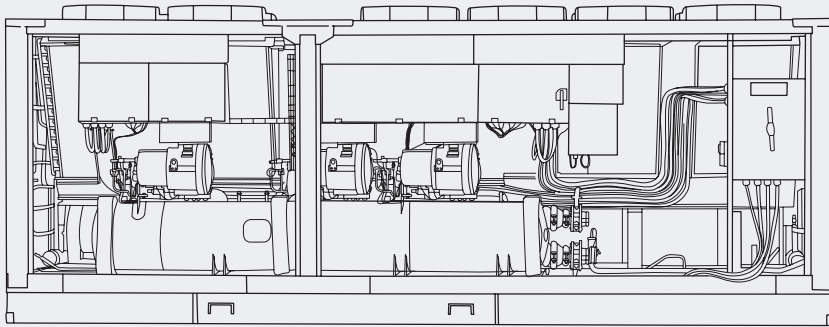


800 kW Chiller.



Length
6900 mm

Depth
2400 mm

Height
2560 mm



Weight
7000 kg



Sound
-

800 kW

Cooling Capacity

65.2 ℓ/s

Flow Rate

498 A

Operating Current

3

Compressors

EQUIPMENT DETAILS

Cooling Capacity 800 kW	Heating Capacity N/A	Refrigerant R134A	Refrigerant Circuits 2	Minimum Capacity 0.14
-----------------------------------	--------------------------------	-----------------------------	----------------------------------	---------------------------------

HYDRONICS

Fluid Temp Range 4 - 15°C	Flow Rate Range 16.3 - 65.2 ℓ/s	Pump Set P034	Plumbing Connection 4" Camlock
-------------------------------------	---	-------------------------	--

ELECTRICAL

Power Supply 415 V / 3 P / 50 Hz	Operating Current 498 A	Circuit Breaker 630 A	External Outlet 50 A 5 PIN	Electrical Connection 240 mm Powerlock
--	-----------------------------------	---------------------------------	--------------------------------------	--



1800 50 50 47
activeair.com.au