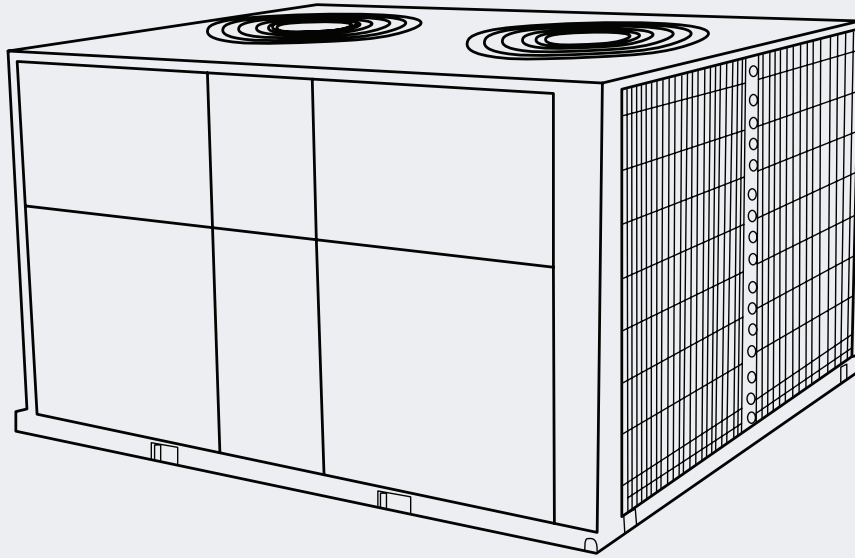


80 kW Chiller.



Length
2300 mm

Depth
1300 mm

Height
1700 mm



Weight
662 kg



Sound
-

80 kW

Cooling Capacity

3.8 ℓ/s

Flow Rate

58 / 212 A

Operating Current

2

Compressors

EQUIPMENT DETAILS

Cooling Capacity 80 kW	Heating Capacity N/A	Refrigerant R410A	Refrigerant Circuits 1	Minimum Capacity 0.5
----------------------------------	--------------------------------	-----------------------------	----------------------------------	--------------------------------

HYDRONICS

Fluid Temp Range 5 - 20°C	Flow Rate Range 1.2 - 5.5 (3.8) ℓ/s	Pump Set -	Plumbing Connection 2" Camlock
-------------------------------------	---	----------------------	--

ELECTRICAL

Power Supply 415 V / 3 P / 50 Hz	Operating Current 58 / 212 A	Circuit Breaker 63 A	External Outlet No	Electrical Connection Hardwire
--	--	--------------------------------	------------------------------	--

