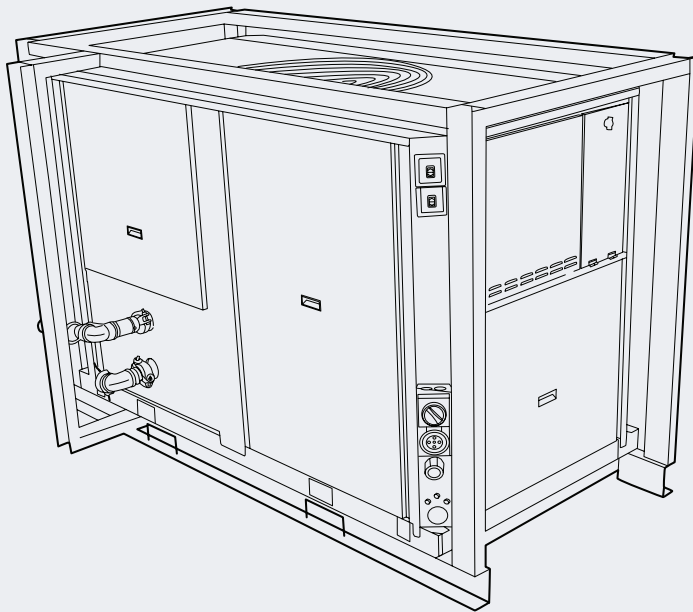


78 kW Low Temp Reverse Cycle Chiller.



Length
2260 mm



Weight
800 kg

Depth
1560 mm



Sound
87 dB(A)

Height
1575 mm

78 kW

Cooling Capacity

5.2 ℓ/s

Flow Rate

55.8 A

Operating Current

2

Compressors

EQUIPMENT DETAILS

Cooling Capacity 78 kW	Heating Capacity 77 kW	Refrigerant R410A	Refrigerant Circuits 1	Minimum Capacity 0.5
----------------------------------	----------------------------------	-----------------------------	----------------------------------	--------------------------------

HYDRONICS

Fluid Temp Range Low Temp: -15 - -5°C Cooling: 5 - 20°C Heating: 25 - 55°C	Flow Rate Range 1.2 - 5.5 (5.2) ℓ/s	Pump Set In-built	Plumbing Connection 2" Camlock
--	---	-----------------------------	--

Power Supply 415 V / 3 P / 50 Hz	Operating Current 55.8 A	Circuit Breaker 63 A	External Outlet N/A	Electrical Connection Hardwire
--	------------------------------------	--------------------------------	-------------------------------	--



1800 50 50 47
activeair.com.au