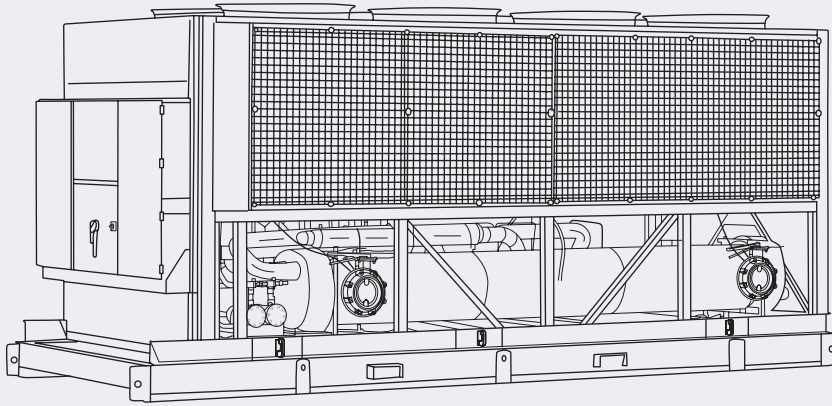


525 kW Chiller.



Length
5750 mm

Depth
2250 mm

Height
2750 mm



Weight
6500 kg



Sound
-

525 kW

Cooling Capacity

48.5 ℓ/s

Flow Rate

396 A

Operating Current

2

Compressors

EQUIPMENT DETAILS

| | | | | |
|-----------------------------------|--------------------------------|-----------------------------|----------------------------------|--------------------------------|
| Cooling Capacity 525 kW | Heating Capacity N/A | Refrigerant R407C | Refrigerant Circuits 2 | Minimum Capacity 0.1 |
|-----------------------------------|--------------------------------|-----------------------------|----------------------------------|--------------------------------|

HYDRONICS

| | | | |
|-------------------------------------|---|-------------------------|--|
| Fluid Temp Range 5 - 13°C | Flow Rate Range 12.4 - 48.5 ℓ/s | Pump Set P020 | Plumbing Connection 4" Camlock |
|-------------------------------------|---|-------------------------|--|

ELECTRICAL

| | | | | |
|--|-----------------------------------|---------------------------------|--------------------------------------|--|
| Power Supply 415 V / 3 P / 50 Hz | Operating Current 396 A | Circuit Breaker 630 A | External Outlet 50 A 5 PIN | Electrical Connection 240 mm Powerlock |
|--|-----------------------------------|---------------------------------|--------------------------------------|--|

