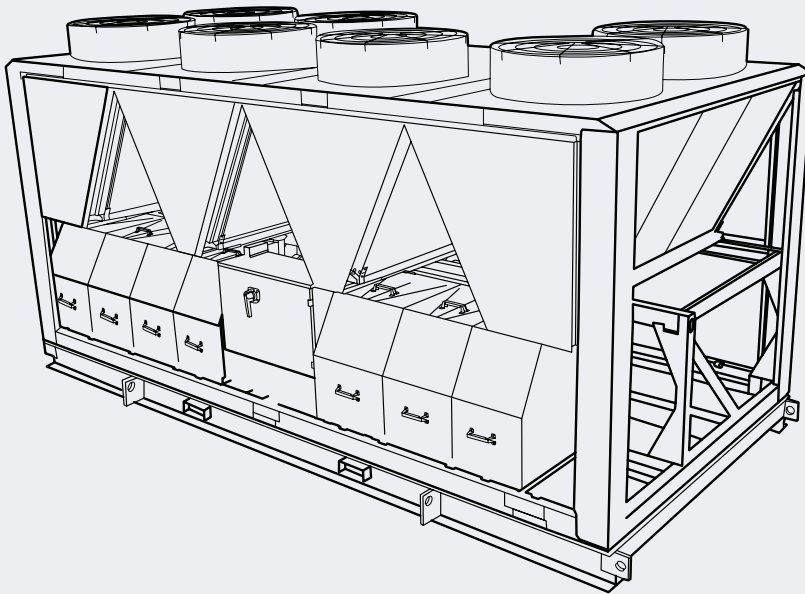


420 kW Chiller.



Length
4798 mm

Depth
2253 mm

Height
2297 mm



Weight
4160 kg



Sound
87 dB(A)

420 kW

Cooling Capacity

5.8 - 31.1 ℓ/s

Flow Rate

268 A

Operating Current

7

Compressors

EQUIPMENT DETAILS

Cooling Capacity 420 kW	Heating Capacity N/A	Refrigerant R410A	Refrigerant Circuits 2	Minimum Capacity 0.13
-----------------------------------	--------------------------------	-----------------------------	----------------------------------	---------------------------------

HYDRONICS

Fluid Temp Range 5 - 20°C	Flow Rate Range 5.8 - 31.1 ℓ/s	Pump Set P015	Plumbing Connection 4" Camlock
-------------------------------------	--	-------------------------	--

ELECTRICAL

Power Supply 415 V / 3 P / 50 Hz	Operating Current 268 A	Circuit Breaker 400 A	External Outlet 50 A 5 PIN	Electrical Connection 120 mm Powerlock
--	-----------------------------------	---------------------------------	--------------------------------------	--



1800 50 50 47
activeair.com.au