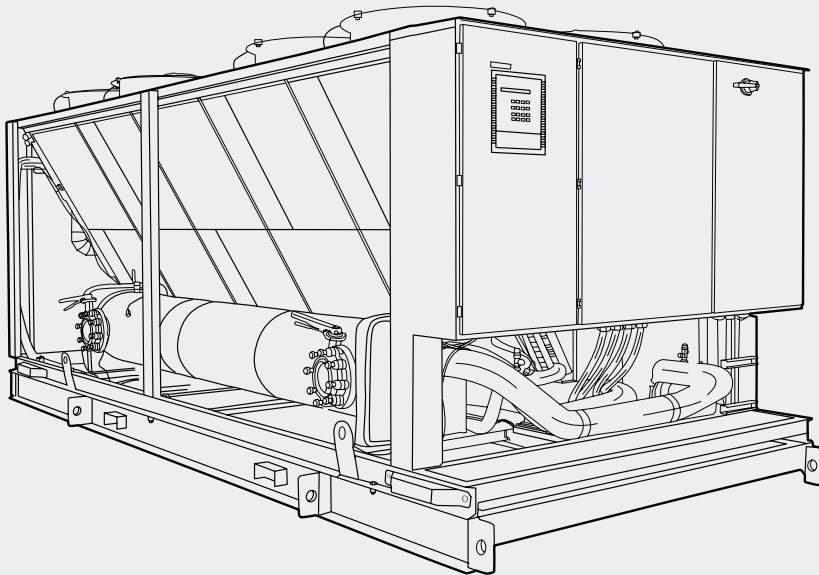


400 kW Chiller.



Length
6050 mm

Depth
2450 mm

Height
2700 mm



Weight
6800 kg



Sound
-

400 kW

Cooling Capacity

7.3 - 24.8 l/s

Flow Rate

319.6 / 355 A

Operating Current

2

Compressors

EQUIPMENT DETAILS

Cooling Capacity 400 kW	Heating Capacity N/A	Refrigerant R134A	Refrigerant Circuits 2	Minimum Capacity 0.17
-----------------------------------	--------------------------------	-----------------------------	----------------------------------	---------------------------------

HYDRONICS

Fluid Temp Range 5.6 - 18°C	Flow Rate Range 7.3 - 24.8 l/s	Pump Set P015	Plumbing Connection 4" Camlock
---------------------------------------	--	-------------------------	--

ELECTRICAL

Power Supply 415 V / 3 P / 50 Hz	Operating Current 319.6 / 355 A	Circuit Breaker 400 A	External Outlet 50 A 5 PIN	Electrical Connection 120 mm Powerlock
--	---	---------------------------------	--------------------------------------	--

