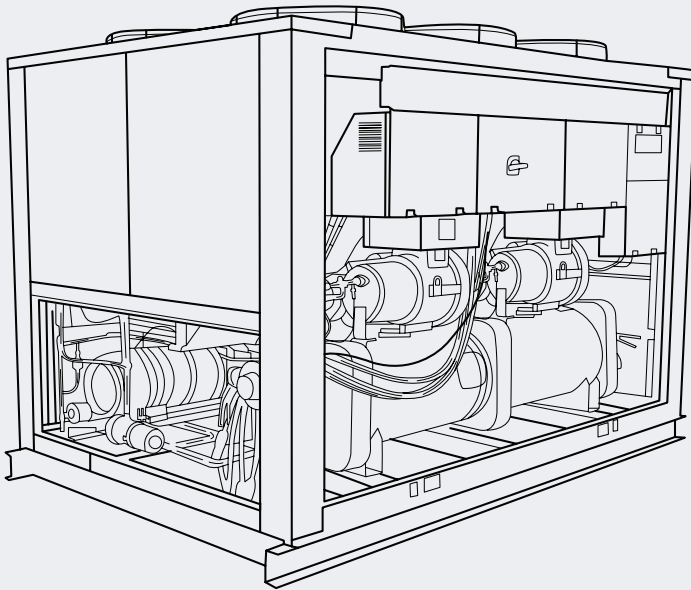


400 kW Chiller.



Length

-



Weight

-

Depth

-



Sound

Height

-

400 kW

Cooling Capacity

8.5 ℓ/s

Flow Rate

268 / 456 A

Operating Current

4

Compressors

EQUIPMENT DETAILS

Cooling Capacity

400 kW

Heating Capacity

N/A

Refrigerant

R407C

Refrigerant Circuits

2

Minimum Capacity

0.25

HYDRONICS

Fluid Temp Range

-

Flow Rate Range

8.5 ℓ/s

Pump Set

P015

Plumbing Connection

4" Camlock

ELECTRICAL

Power Supply

415 V / 3 P / 50 Hz

Operating Current

268 / 456 A

Circuit Breaker

400 A

External Outlet

-

Electrical Connection

-

