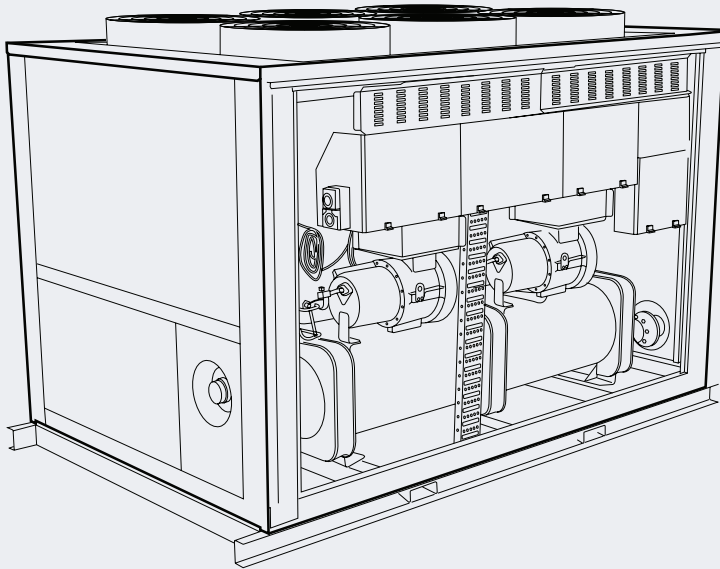


## 350 kW Chiller.



**Length**  
3427 mm

**Depth**  
2258 mm

**Height**  
2287 mm



**Weight**  
3600 kg



**Sound**  
100 dB(A)

**350 kW**

Cooling Capacity

**7.4 - 29.6 l/s**

Flow Rate

**256 A**

Operating Current

**2**

Compressors

### EQUIPMENT DETAILS

**Cooling Capacity**  
350 kW

**Heating Capacity**  
N/A

**Refrigerant**  
R134A

**Refrigerant Circuits**  
2

**Minimum Capacity**  
0.19

### HYDRONICS

**Fluid Temp Range**  
4 - 15°C

**Flow Rate Range**  
7.4 - 29.6 l/s

**Pump Set**  
P015

**Plumbing Connection**  
4" Camlock

### ELECTRICAL

**Power Supply**  
415 V / 3 P / 50 Hz

**Operating Current**  
256 A

**Circuit Breaker**  
400 A

**External Outlet**  
50 A 5 PIN

**Electrical Connection**  
120 mm Powerlock

