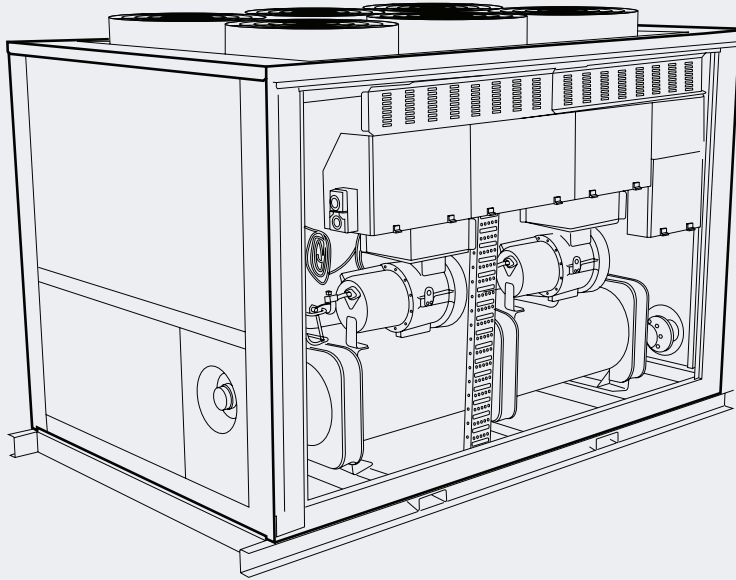


350 kW Chiller.



Length
3000 mm

Depth
2370 mm

Height
2580 mm



Weight
3500 kg



Sound
84 dB(A)

350 kW

Cooling Capacity

9.4 - 40.5 ℓ/s

Flow Rate

228 / 503 A

Operating Current

2

Compressors

EQUIPMENT DETAILS

Cooling Capacity 350 kW	Heating Capacity N/A	Refrigerant R22	Refrigerant Circuits -	Minimum Capacity 0.5
-----------------------------------	--------------------------------	---------------------------	----------------------------------	--------------------------------

HYDRONICS

Fluid Temp Range 4.5 - 12°C	Flow Rate Range 9.4 - 40.5 ℓ/s	Pump Set -	Plumbing Connection 4" Camlock
---------------------------------------	--	----------------------	--

ELECTRICAL

Power Supply 415 V / 3 P / 50 Hz	Operating Current 228 / 503 A	Circuit Breaker 250 A	External Outlet 50 A 5 PIN	Electrical Connection 120 mm Powerlock
--	---	---------------------------------	--------------------------------------	--



1800 50 50 47
activeair.com.au