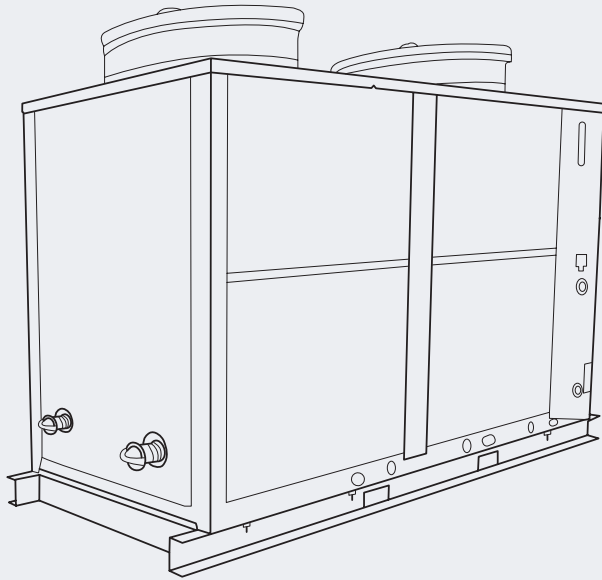


## 200 kW Chiller.



**Length**  
4450 mm

**Depth**  
1200 mm

**Height**  
2580 mm



**Weight**  
2130 kg



**Sound**  
-

**200 kW**

Cooling Capacity

**8.8 ℓ/s**

Flow Rate

**186 / 351 A**

Operating Current

**4**

Compressors

### EQUIPMENT DETAILS

<b>Cooling Capacity</b> 200 kW	<b>Heating Capacity</b> N/A	<b>Refrigerant</b> R410A	<b>Refrigerant Circuits</b> 2	<b>Minimum Capacity</b> 0.25
-----------------------------------	--------------------------------	-----------------------------	----------------------------------	---------------------------------

### HYDRONICS

<b>Fluid Temp Range</b> -	<b>Flow Rate Range</b> 8.8 ℓ/s	<b>Pump Set</b> -	<b>Plumbing Connection</b> 4" Camlock
------------------------------	-----------------------------------	----------------------	--

### ELECTRICAL

<b>Power Supply</b> 415 V / 3 P / 50 Hz	<b>Operating Current</b> 186 / 351 A	<b>Circuit Breaker</b> 200 A	<b>External Outlet</b> No	<b>Electrical Connection</b> 120 mm Powerlock
--	---	---------------------------------	------------------------------	--



**1800 50 50 47**  
activeair.com.au