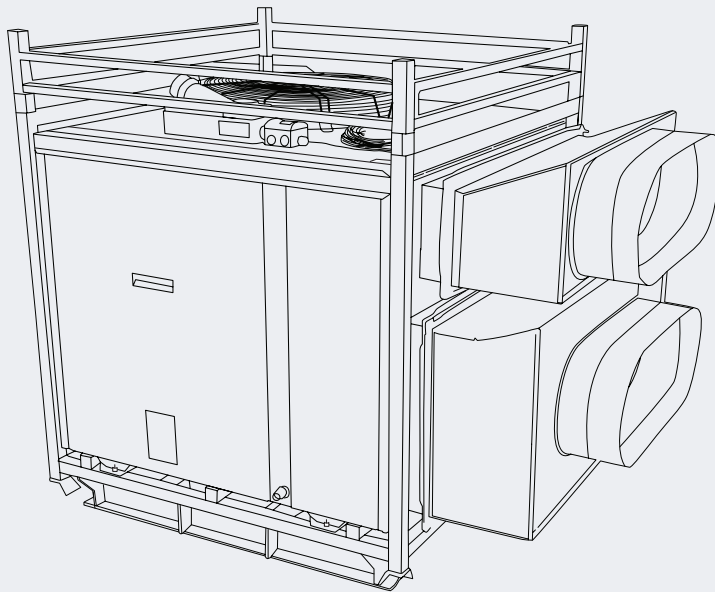


18 kW Packaged Unit Air Conditioner.



Length
1300 mm

Depth
1300 mm

Height
1320 mm



Weight
325 kg



Sound
71 dB(A)

16.8 kW

Cooling Capacity

900 ℓ/s

Flow Rate

12 A / 11 A

Operating Current

25 A

Circuit Breaker

EQUIPMENT DETAILS

Cooling Capacity
16.8 kW

Heating Capacity
16.4 kW

Refrigerant
R410A

HYDRONICS

Air Flow
900 ℓ/s

Supply Air Spigot(s)
1 x 600 mm

Return Air Spigot(s)
1 x 600 mm

ELECTRICAL

Power Supply
415 V / 3 P / 50 Hz

Operating Current
12 A / 11 A / 11 A

Circuit Breaker
25 A

Plug Configuration
25 A 5 PIN

