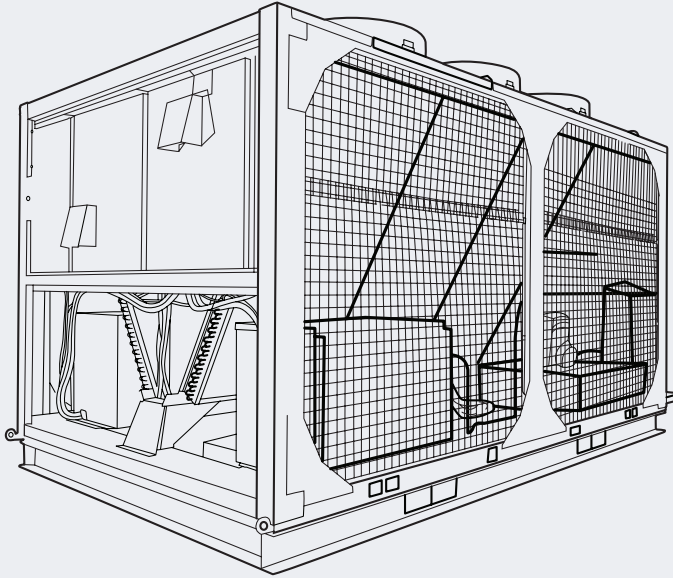


160 kW Low Temp Chiller.



Length
4200 mm

Depth
2250 mm

Height
2400 mm



Weight
2800 kg



Sound
N/A

160 kW

Cooling Capacity

4.0 - 11.9 ℓ/s

Flow Rate

143.3 A

Operating Current

4

Compressors

EQUIPMENT DETAILS

Cooling Capacity 160 kW	Heating Capacity N/A	Refrigerant R410A	Refrigerant Circuits 2	Minimum Capacity 0.25
-----------------------------------	--------------------------------	-----------------------------	----------------------------------	---------------------------------

HYDRONICS

Fluid Temp Range Low Temp: -12.2 - 5°C Cooling: 5.5 - 18°C	Flow Rate Range 4.0 - 11.9 ℓ/s	Pump Set -	Plumbing Connection 4" Camlock
---	--	----------------------	--

Power Supply 415 V / 3 P / 50 Hz	Operating Current 143.3 A	Circuit Breaker 160 A	External Outlet N/A	Electrical Connection 120 mm Powerlock
--	-------------------------------------	---------------------------------	-------------------------------	--



1800 50 50 47
activeair.com.au