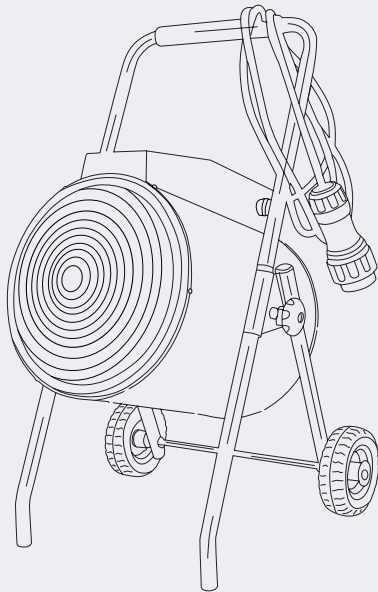


15 kW Electric Heater.



Length

514 mm



Weight

20 kg

Depth

541 mm



Sound

Height

869 mm

15 kW

Heating Capacity

261 ℓ/s

Air Flow

21 A

Operating Current

32 A

Circuit Breaker

EQUIPMENT DETAILS

Heating Capacity

15 kW

Air Flow

261 ℓ/s

Hot Water Supply Temp

-

Flow Rate

-

Operating Current

21 A

ELECTRICAL

Power Supply

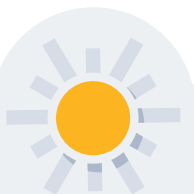
415 V / 3 P / 50 Hz

Circuit Breaker

32 A

Plug Configuration

5 PIN 32 A



1800 50 50 47
activeair.com.au