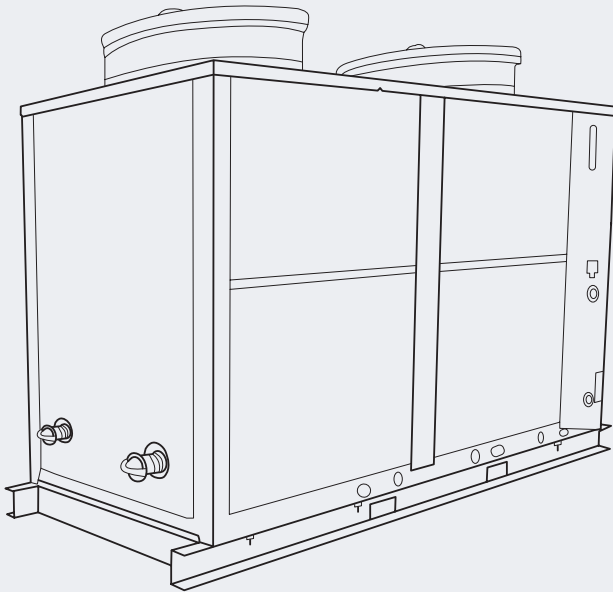


140 kW Chiller.



Length
3500 mm

Depth
1200 mm

Height
1800 mm



Weight
1360 kg



Sound
66 dB(A)

140 kW

Cooling Capacity

6.68 l/s

Flow Rate

138 / 333 A

Operating Current

2

Compressors

EQUIPMENT DETAILS

Cooling Capacity 140 kW	Heating Capacity N/A	Refrigerant R407C	Refrigerant Circuits 1	Minimum Capacity 0.5
-----------------------------------	--------------------------------	-----------------------------	----------------------------------	--------------------------------

HYDRONICS

Fluid Temp Range -	Flow Rate Range 6.68 l/s	Pump Set -	Plumbing Connection 4" Camlock
------------------------------	------------------------------------	----------------------	--

ELECTRICAL

Power Supply 415 V / 3 P / 50 Hz	Operating Current 138 / 333 A	Circuit Breaker 160 A	External Outlet No	Electrical Connection 120 mm Powerlock
--	---	---------------------------------	------------------------------	--



1800 50 50 47
activeair.com.au